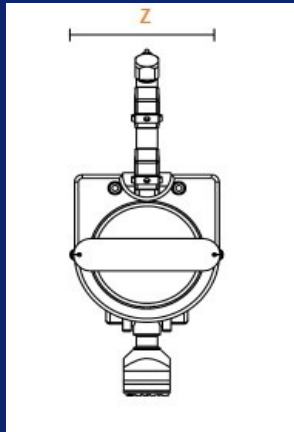
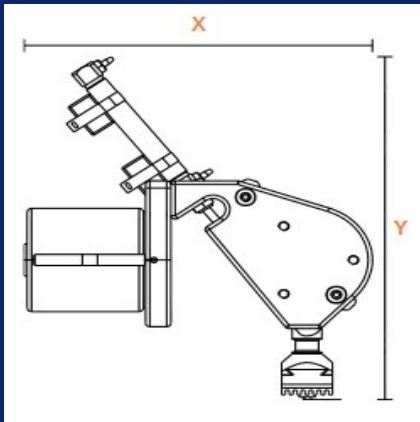




Measurements



TC PNEUMATIC PRINTER

Reciprocating unit to print codes, sell by dates, etc...

Prints on to all substrates. It works automatically on line or manually off line and can be mounted on the top, bottom or the side.

Operating Principle

The control box receives a signal from a detector and gives the instruction to the head to print.

The detector can be pneumatic or electrical, it detects the presence of the item to print.

The control box can activate one or several printing heads.

The printer is available in two sizes depending on the three choices of type holder.

Type Holder Size

24 mm x 24 mm

X - 165mm, Y - 195mm, Z - 75mm.

24 mm x 35 mm

X - 165mm, Y - 195mm, Z - 75mm.

24 mm x 48 mm

X - 181mm, Y - 195mm, Z - 90mm.

TC Pneumatic Printer



- **Model T201/24/35 - Pneumatic**, 120 prints/min
 - **Model T201/48 - Pneumatic**, 120 prints/min
 - **Model T202/24/35 - Electrical pneumatic**, 150 prints/min
 - **Model T202/48 - Electrical pneumatic**, 150 prints/min
- Power supply 220v.



Foscott Packaging

Unit 1

12 Carolsteen Avenue

Helens Bay

Co.Down

BT19 1LJ

United Kingdom & Ireland

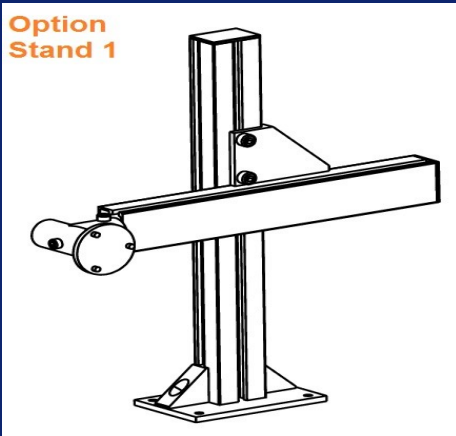
Tel: 02891822211 Email:

sales@foscottpackaging.com
www.foscottpackaging.com

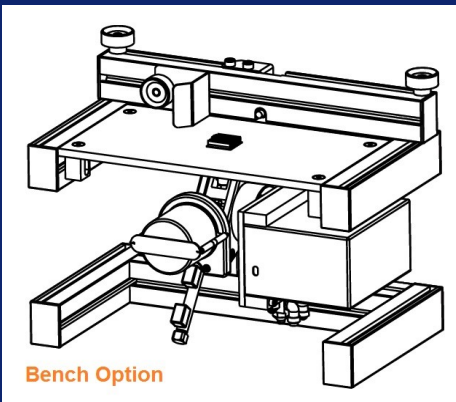
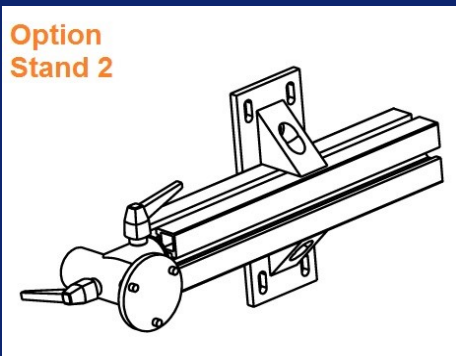
www.foscottpackaging.co.uk



Option Stand 1



Option Stand 2



Bench Option



Flat Longitudinal 6 Ribs



Concave Longitudinal Ribs



Convex Longitudinal Ribs



Flat Transversal Ribs



Concave Transversal Ribs



Convex Transversal Ribs

Type Holder Size	Max Marking Length	No. of Ribs	Max Marking Width
24 x 24 (Longitudinal or Transversal)	24mm	6	21mm
24 x 35 (Longitudinal Ribs)	35mm	6	21mm
24 x 35 (Transversal Ribs)	24mm	9	32mm
24 x 48 (Longitudinal Ribs)	48mm	6	21mm
24 x 48 (Transversal Ribs)	24mm	12	43mm

CM Cartridge Inks

Non-Porous substrates

Box of 10 for 24 x 24, 24 x 35. 1 Regenerator included.

Box of 8 for 24 x 48. 1 Regenerator included.

Colour options : Black, Blue, Yellow, White, Red, Green.

Optional Mounting Stands are available.

Option 1 or Option 2

Baselock Type Characters A-Z and 0-9 Ribbed can be fitted to the print head easily and quickly.

Bench Model (Bottom Markings)

The unit is aluminium, composing of a TC Head, a control box T202, an electrical detector and an item positioning setting.

